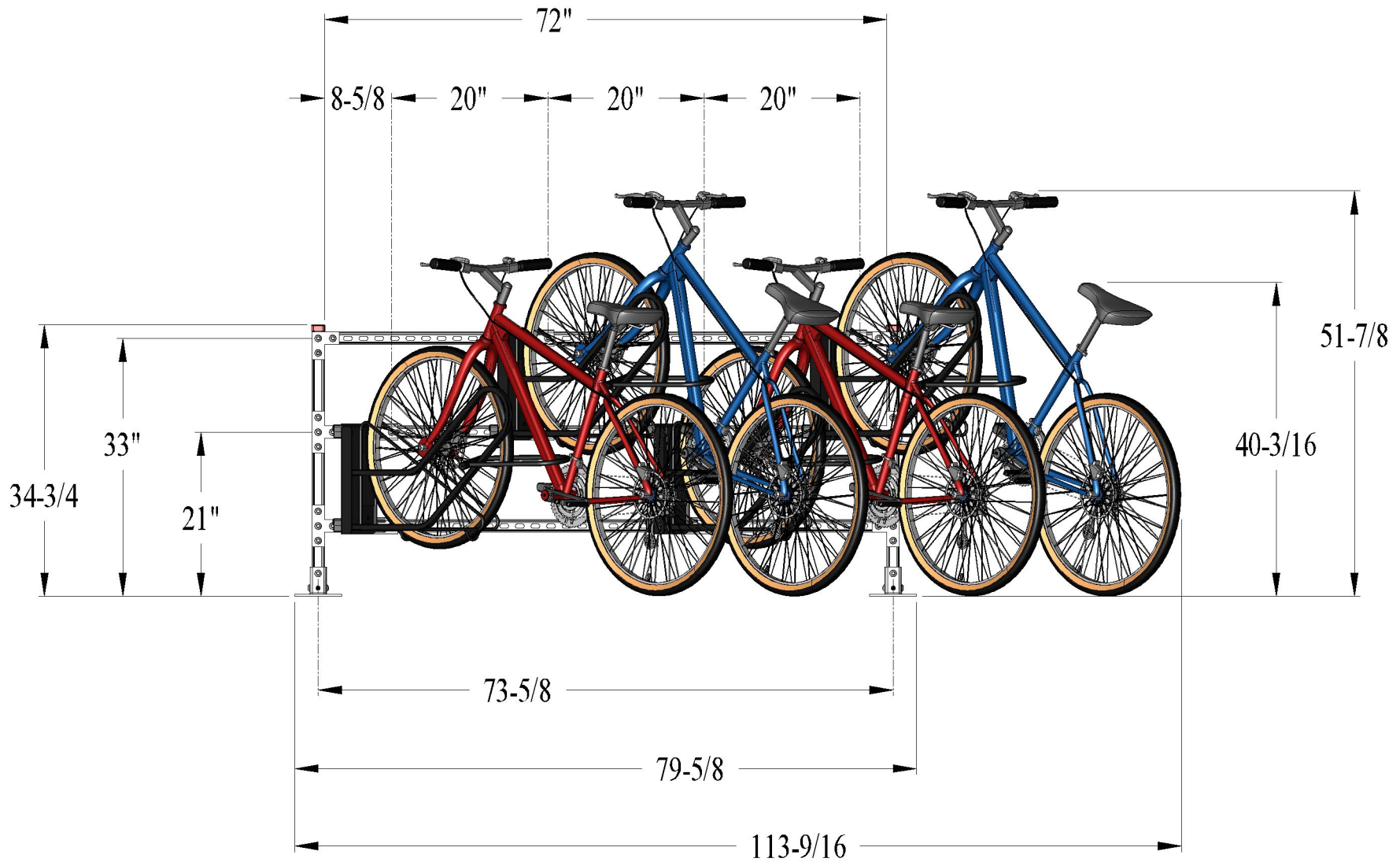


Part #17492

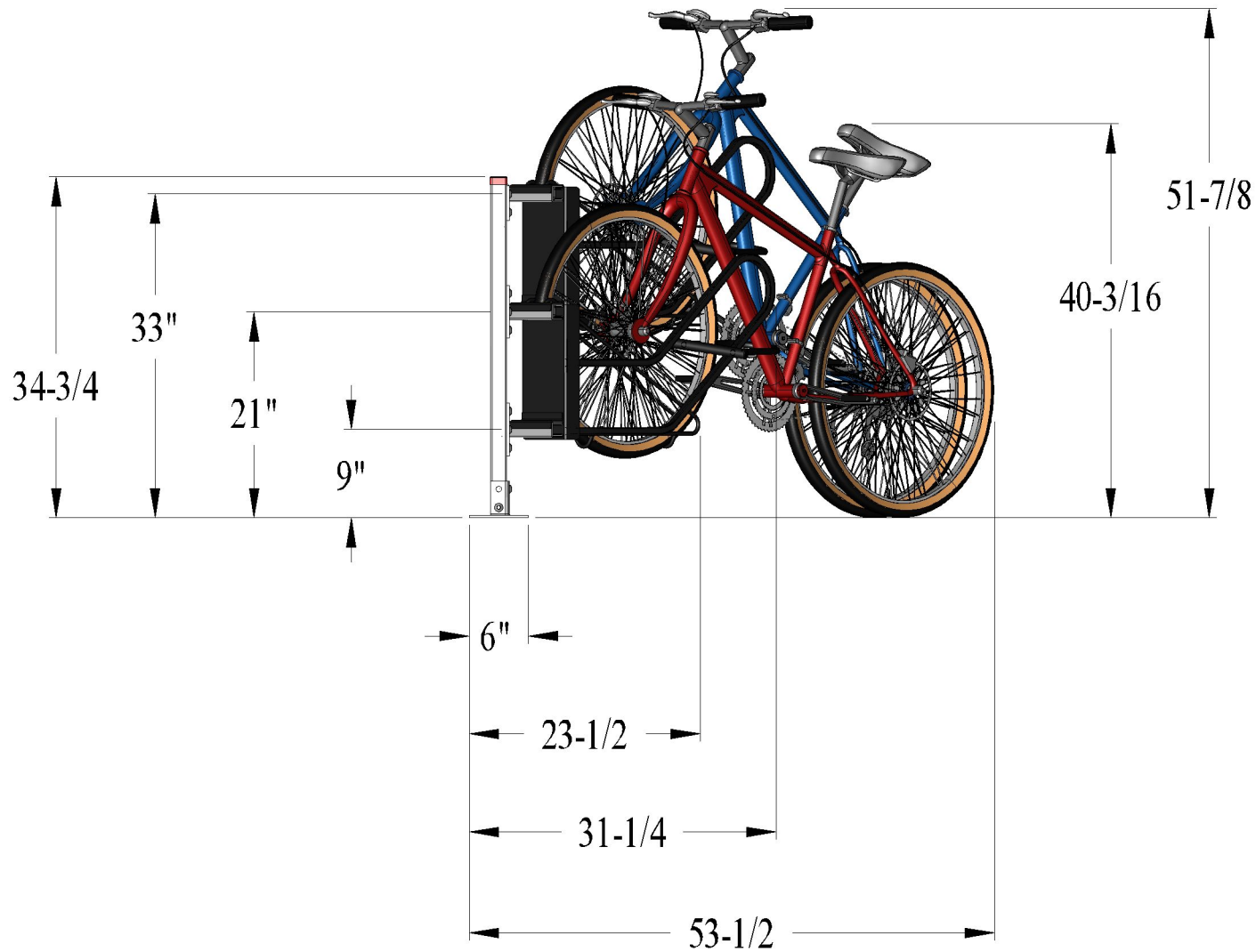


Bike Stall {4-Bike} U-Strut
Post Base {Angled} Master {Iso}

Part #17492

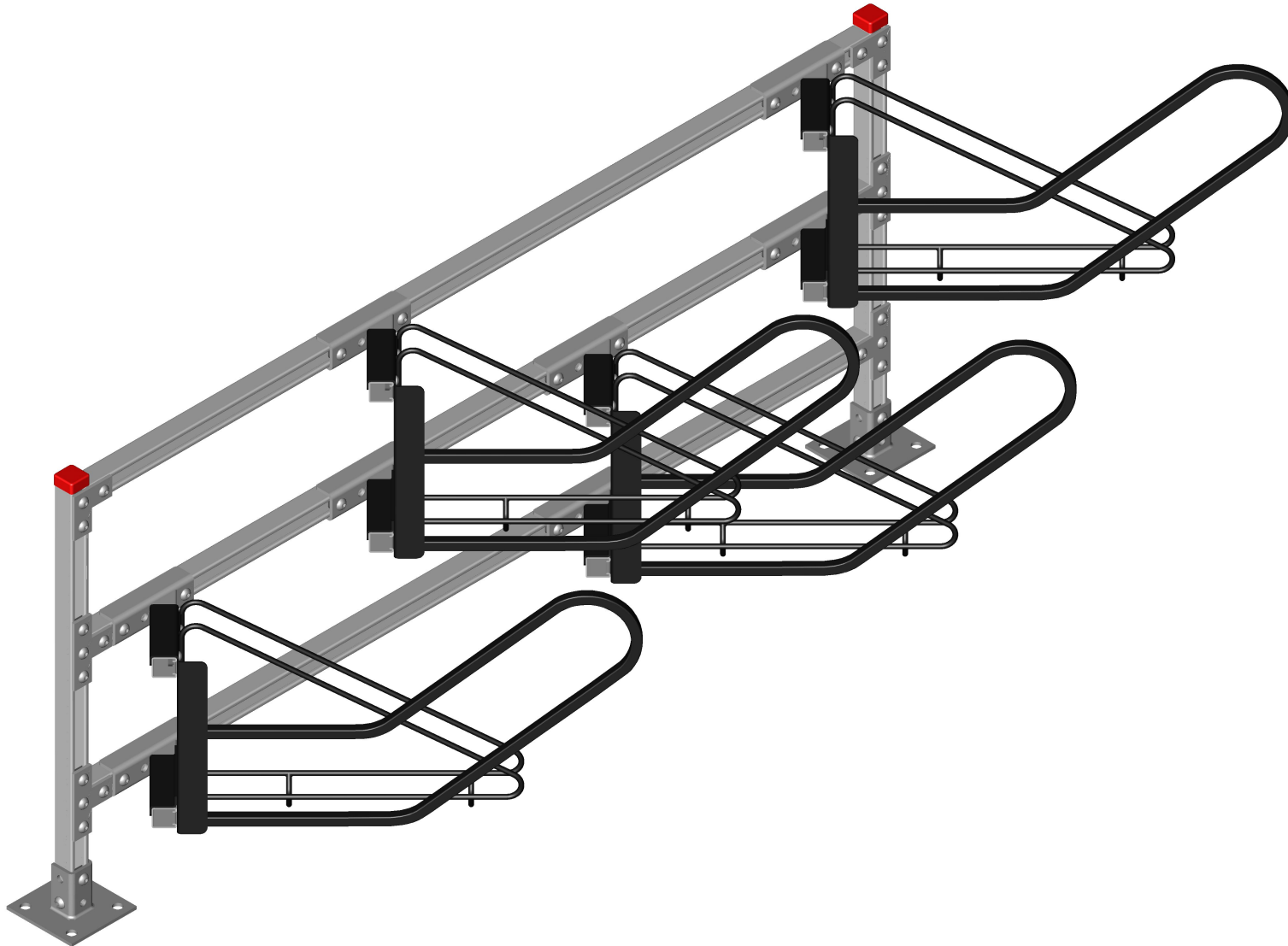


Bike Stall {4-Bike} U-Strut
Post Base {Angled} Master {Front} Dim's

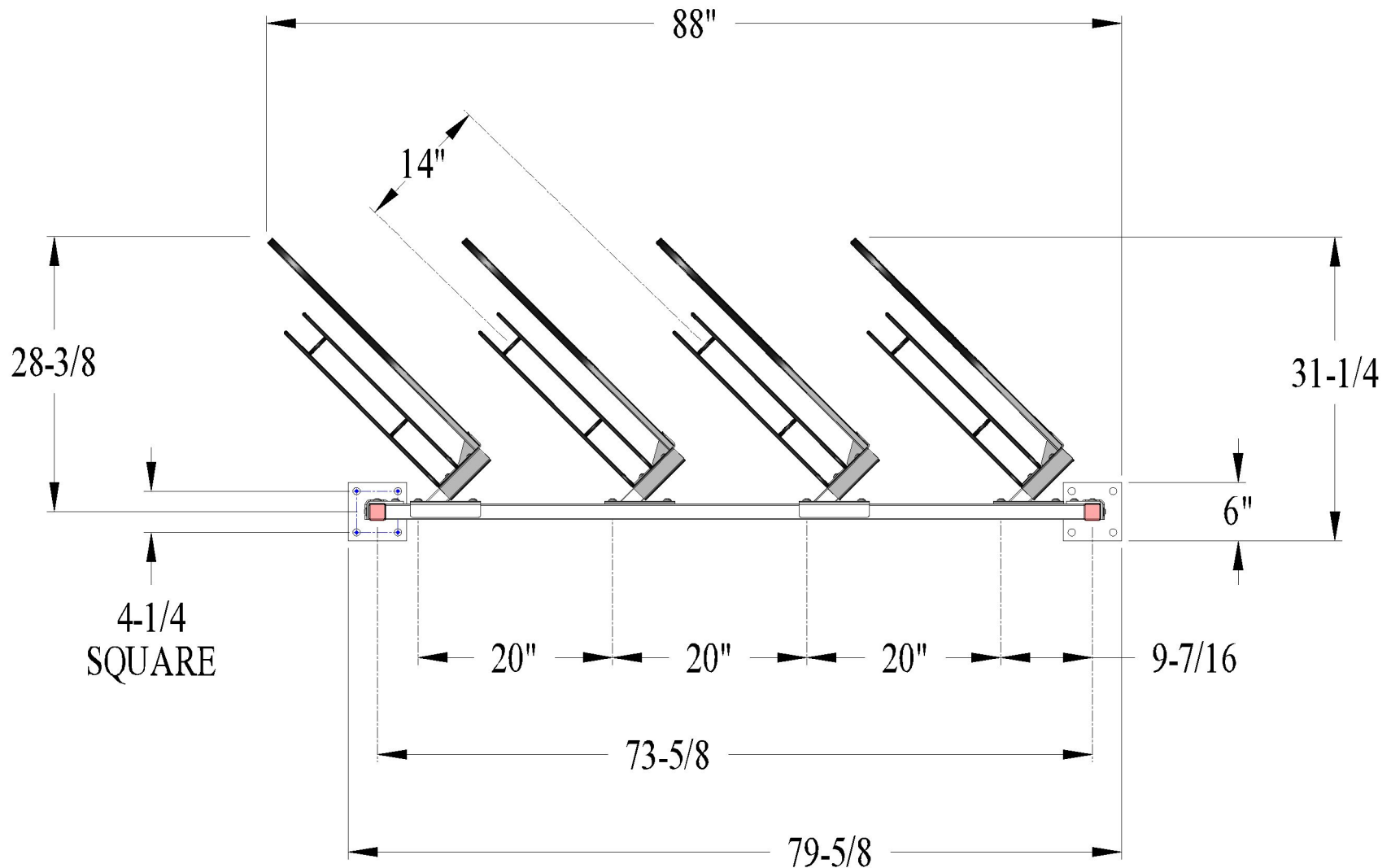


Bike Stall {4-Bike} U-Strut
Post Base {Angled} Master {Side} Dim's

Part #17492

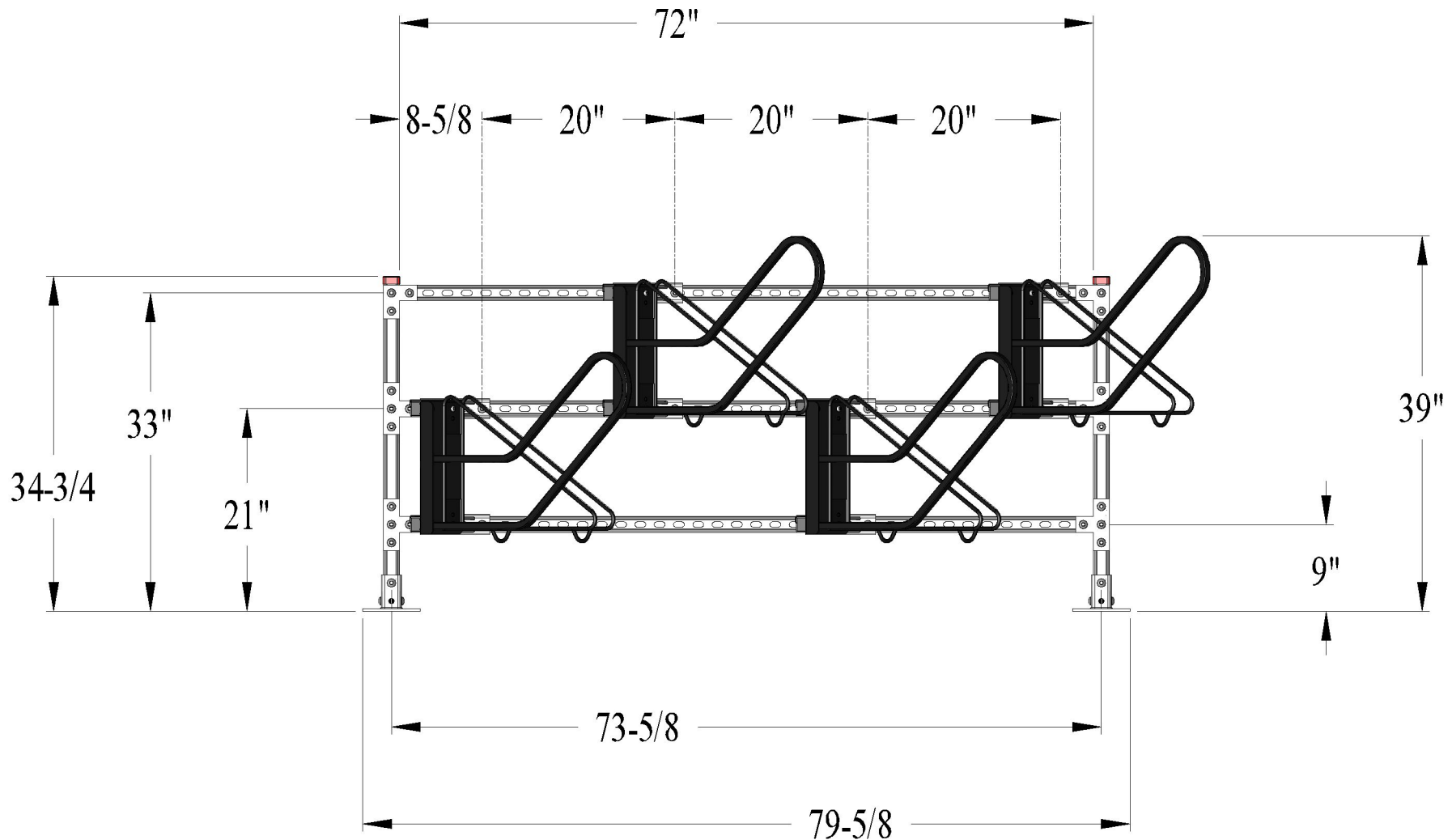


Bike Stall {4-Bike} U-Strut
Post Base {Angled} Assembly {Iso}



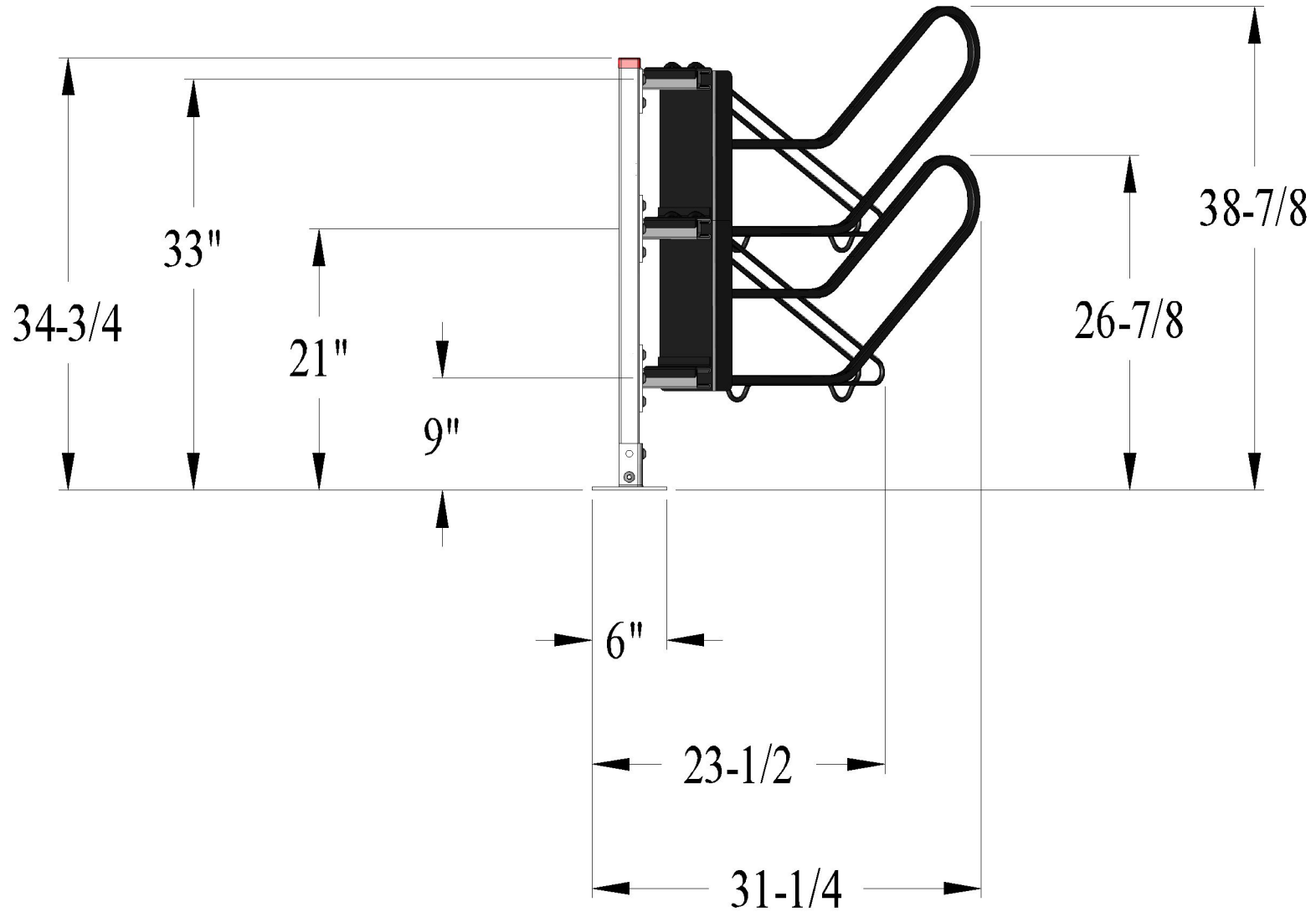
Bike Stall {4-Bike} U-Strut
Post Base {Angled} Assembly {Top} Dim's

Part #17492



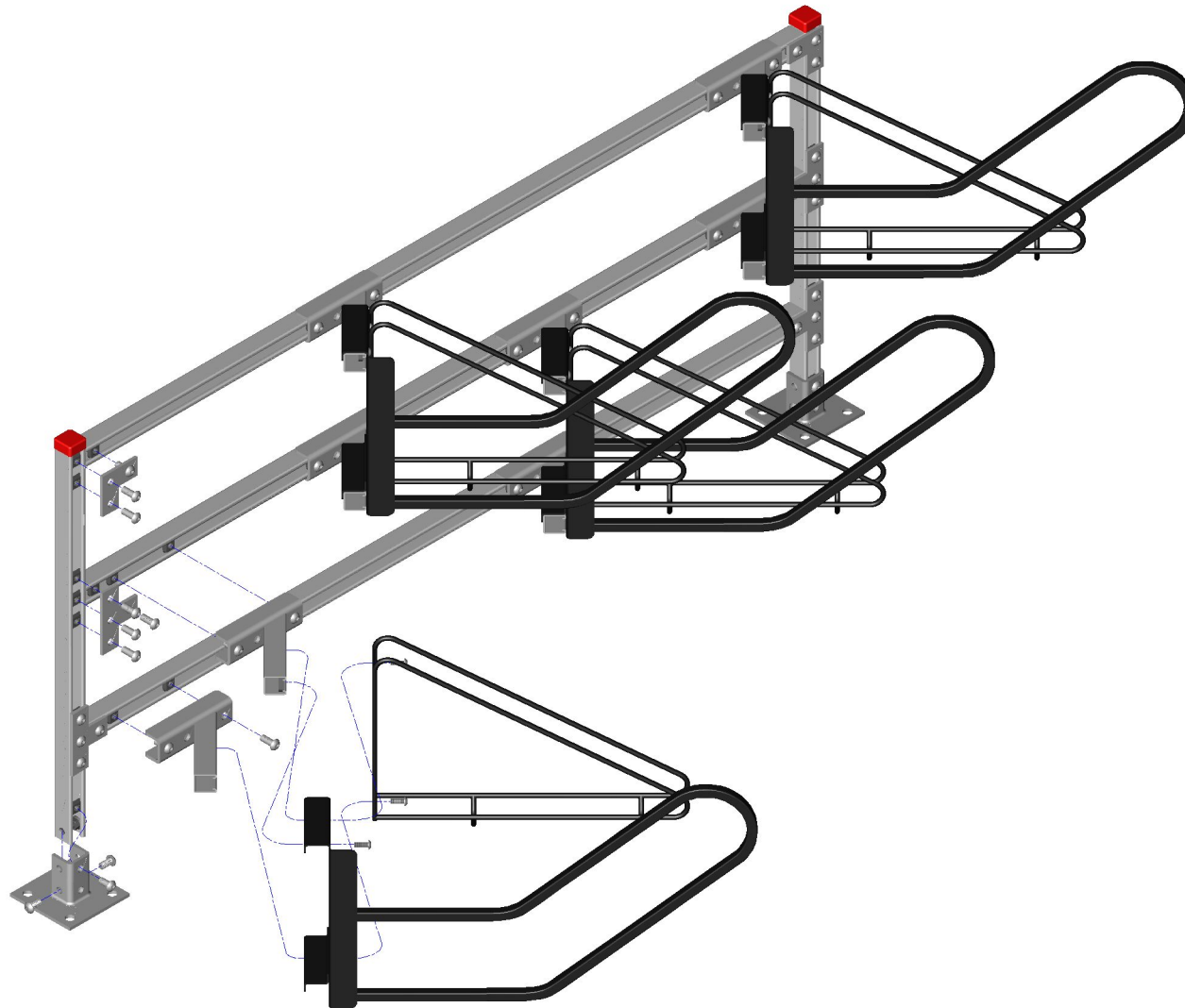
Bike Stall {4-Bike} U-Strut
Post Base {Angled} Assembly {Front} Dim's

Part #17492

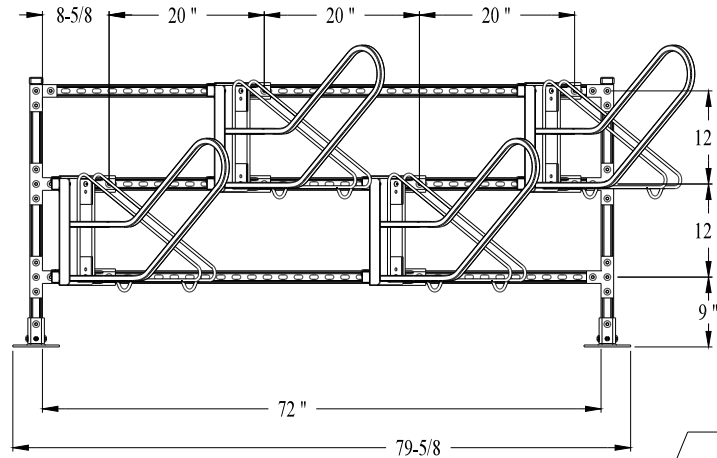
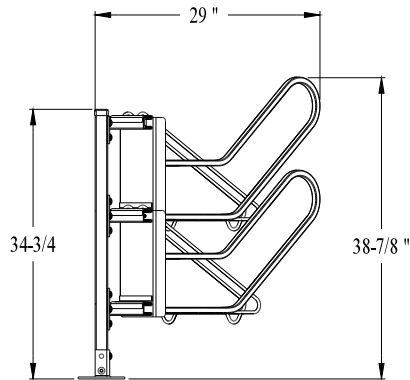


Bike Stall {4-Bike} U-Strut
Post Base {Angled} Assembly {Side} Dim's

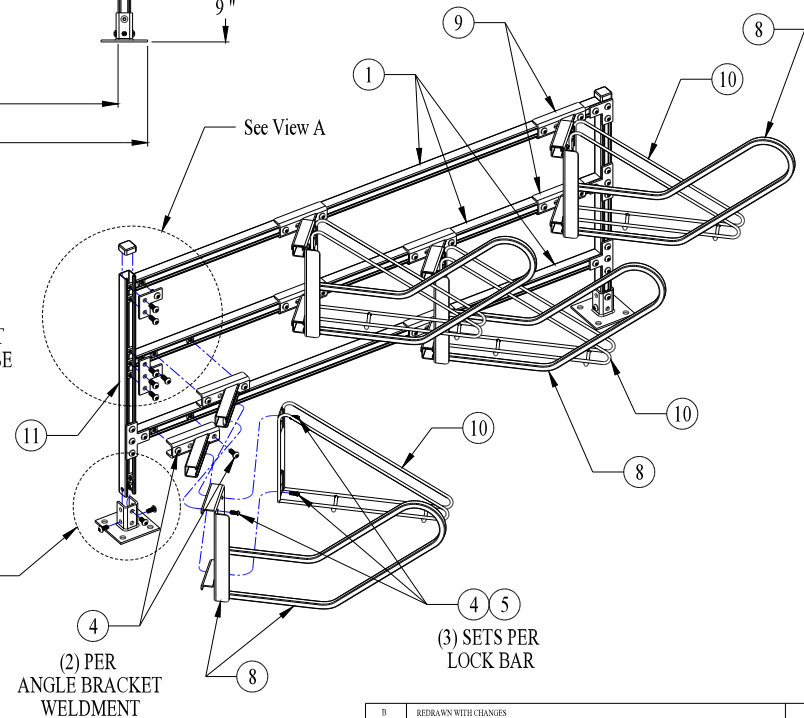
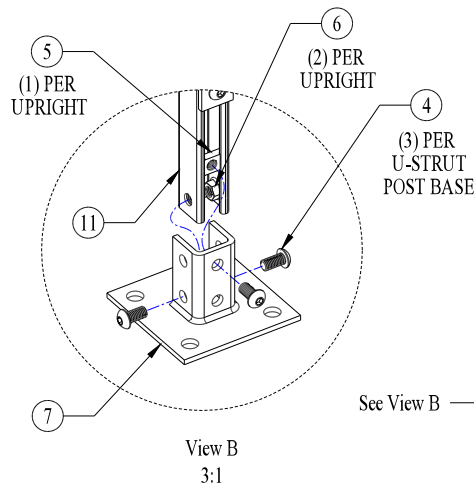
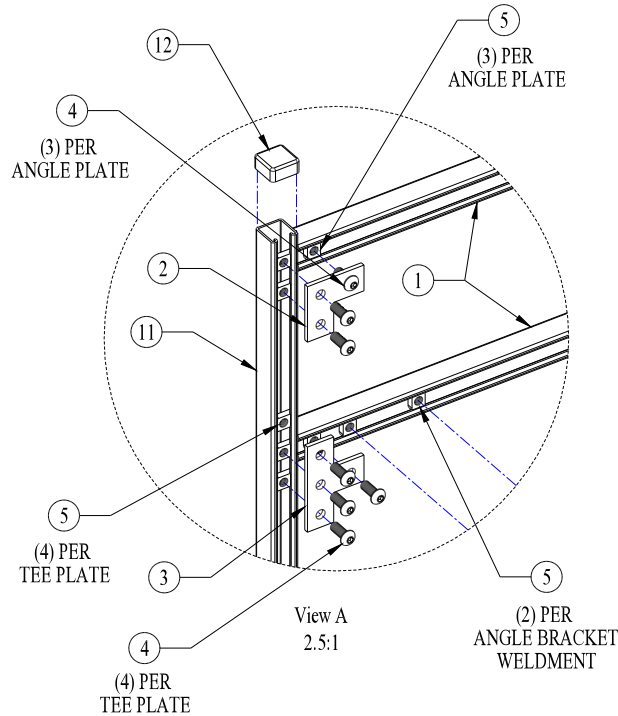
Part #17492



Bike Stall {4-Bike} U-Strut
Post Base {Angled} Assembly {Exploded}



ITEM	QTY	DESCRIPTION	PART NO.
1	3	U-STRUT {SLOTTED} SPANNER x 72" LG.	17486
2	2	ANGLE PLATE	17528
3	4	TEE PLATE	17524
4	56	3/8-16NC x 1" LG {TORX} S/S BHCS	12724
5	54	3/8-16NC U-STRUT {ZINC} NUT	17525
6	2	3/8-16NC SERRATED FLANGE NUT {ZINC}	19567
7	2	U-STRUT {POST} BASE	17490
8	4	LOCK BAR WELDMENT {LEFT}	17549
9	8	ANGLE {SILVER} BRACKET WELDMENT	17541
10	4	WALL-RACK {BLACK} POWDER COATED	17502
11	2	U-STRUT {PLAIN} UPRIGHT x 34-3/8" LG.	17489
12	2	U-STRUT {PLASTIC} END CAP	17530



NOTES:

1. ALL MATERIALS MUST BE CLEAN AND FREE OF MILL LUBRICATION
2. ANY BLEMISHES OR RUST WILL NOT BE ALLOWED ON COMPLETED PRODUCTS
3. FOR "TAMPERPROOF" FASTENERS : USE 3/8-16NC S/S TORX {PINNED} BHCS (17590) IN PLACE OF ITEM #4

**SINGLE-SIDED
HIGH DENSITY**

SHEET 1 OF 1		B	REDRAWN WITH CHANGES	10/30/13
		A	RELEASE FOR PRODUCTION	03/28/13
		REV	DESCRIPTION	DATE
TOLERANCES UNLESS OTHERWISE SPECIFIED:		WALL-RACK {CORRAL} U-STRUT {ANGLED}		
+/-		Cycle Safe 5211 CASCADE RD SE, SUITE 210 GRAND RAPIDS, MI 49546 www.cyclesafe.com		
.X	.030			
.XX	.010			
.XXX	.005			
ANGLE	1/2°	APPROVED	DATE	
		D	POST BASE {4-BIKE} ASSEMBLY	17492
				REV. B